

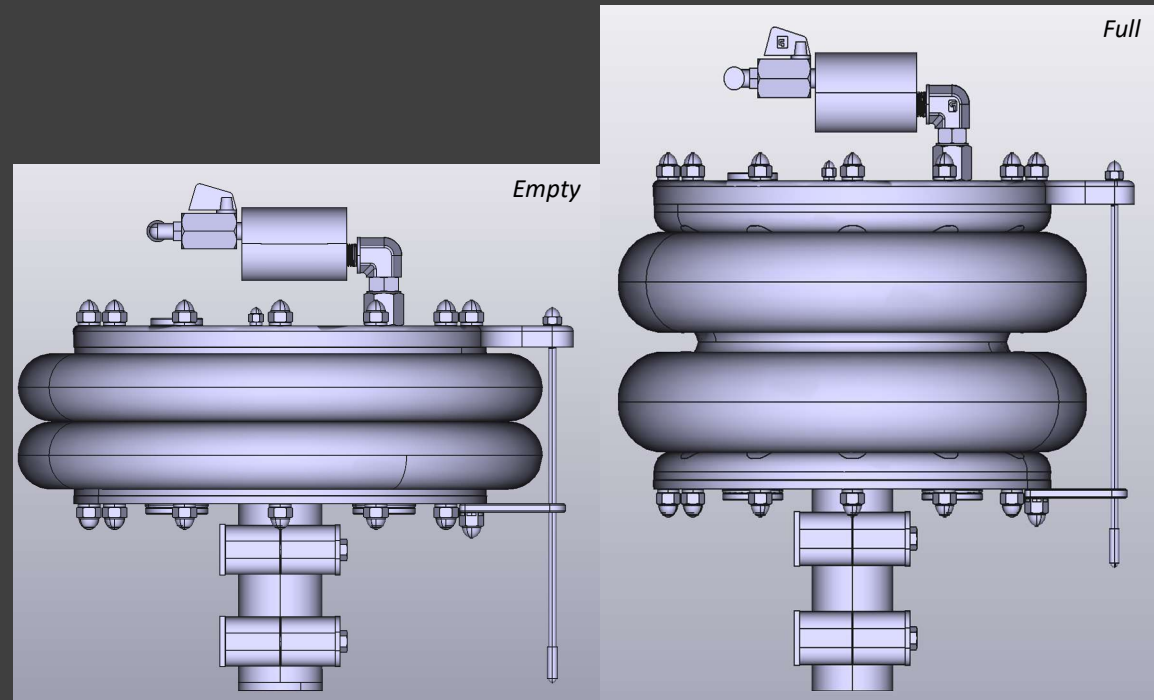
VVR180

Sealed variable volume hydraulic reservoir

General specifications

Volume	3L	180 in ³
Pressure when full: spring #1	0,52 bar	7.5 PSI
Pressure when full: spring #2	* bar	* PSI
Pressure when full: spring #3	* bar	* PSI
Operating temperature	-20°C +107°C	-4°F + 225°F
Connecting ports	2 x SAE-16 + 1 x SAE-12	
Air bleed valve	Yes	
Instrumentation std.	Low level reed switch	
Instrumentation optional	Adjustable pressure switch (low level)	
System Fill dry disconnect coupler	No	
Over pressure relief valve	Optional	
Mounting	2 x adjustable clamps	
Materials	Anodized aluminum & SS	
Overall dimensions	See 3D dwg's (available upon request)	
Weight empty	8,2 kg	18 lb

* Consult Smart Reservoir



www.variablevolumereservoir.com

