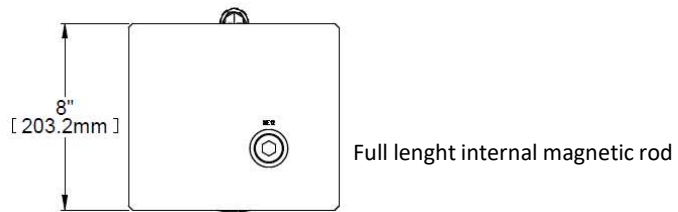
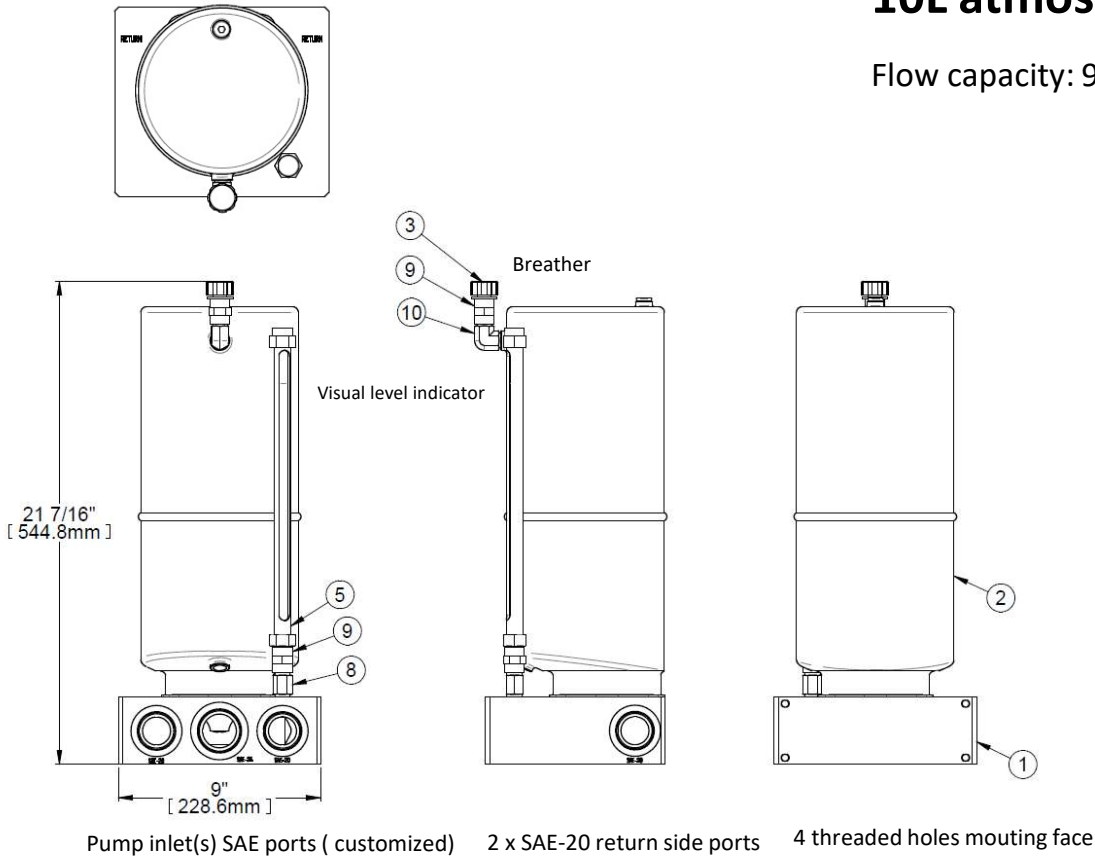
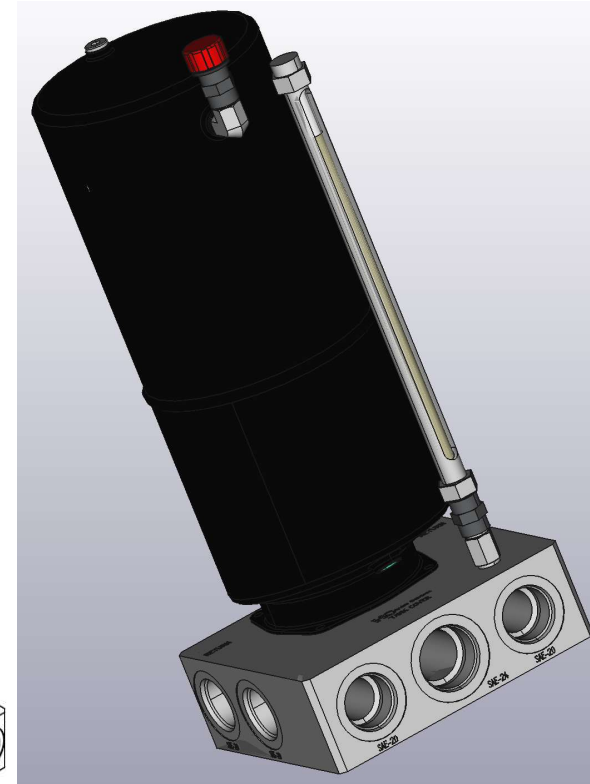


10L atmospheric reservoir

Flow capacity: 95 lpm (25 GPM)



Smart
Reservoir